



RHINO-RACK®

MasterFit Roof Box

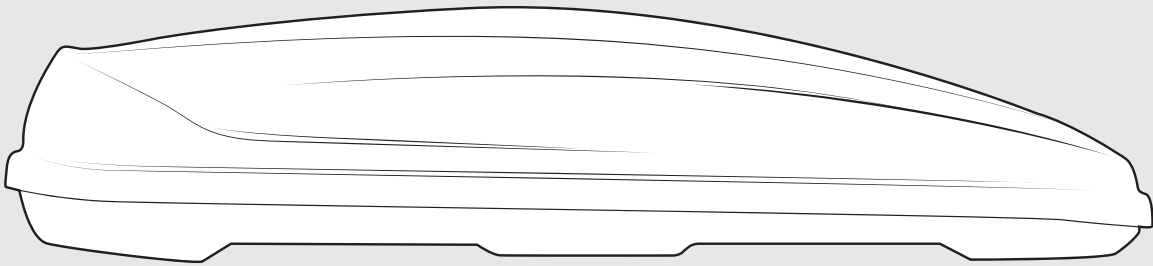
GRA-0A22-001580

Important:

1. Check the Rhino-Rack website to ensure you have the latest issue of these instructions.
2. Please refer to your fitting instruction to ensure that the accessory is installed in the correctly.
3. Check the contents of kit before commencing fitment and report any discrepancies.
4. Place these instructions in the vehicle's glove box after installation is complete.
5. These instructions must be followed for warranty to be upheld.

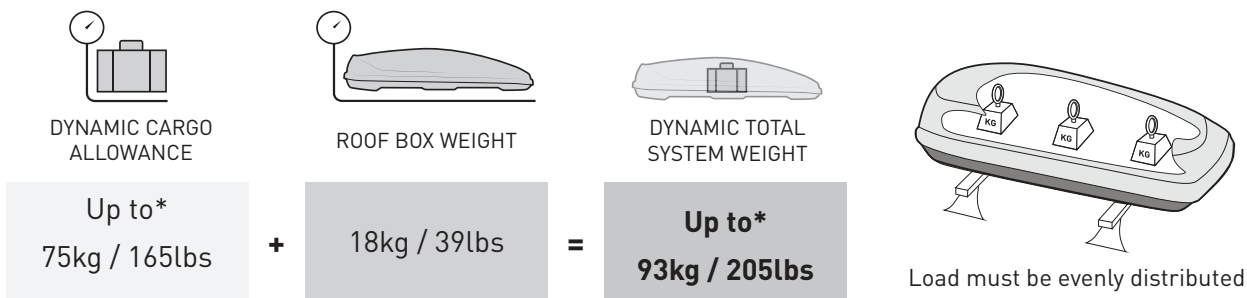
Fit Time: 10 min

TWO-PERSON
INSTALLATION



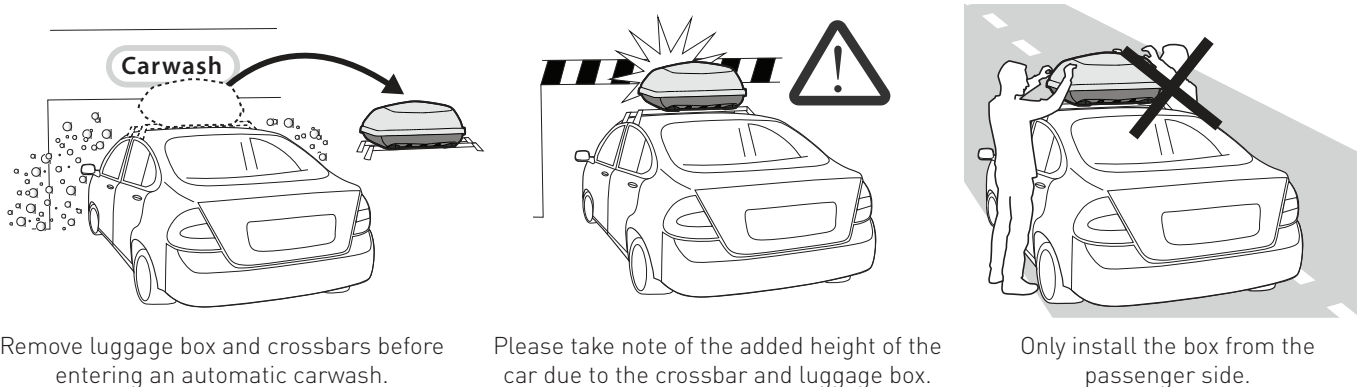
Carrying Capacity

*Check the vehicle owners hand book for your vehicle manufacturer’s maximum carrying capacity. Do not exceed the vehicle manufacturer’s maximum roof carrying capacity. The weight of the roof racks, that the accessory is attached to, must also be included in the total vehicle roof load.

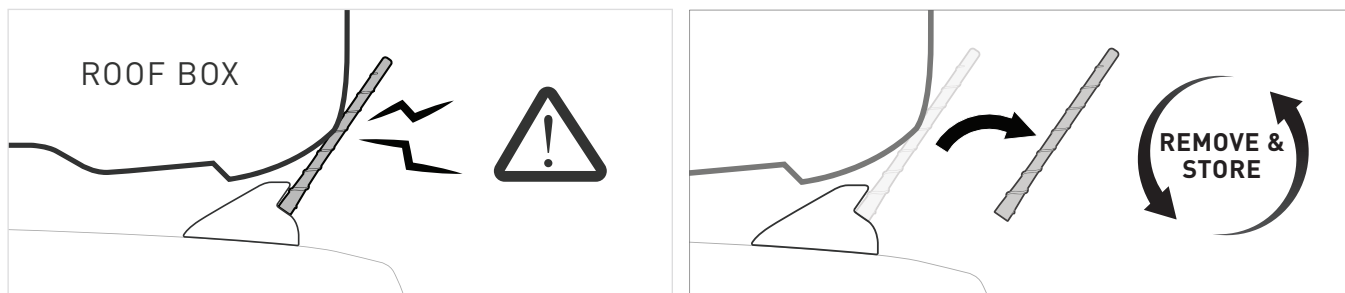


Warning

- Check part number or kit is correct for use with your vehicle. If you notice one or more parts are missing, please contact your dealer and do not use or install the roof box.
- Do not attempt to fit the accessory to your vehicle unless you fully understand these fitting instructions. Please direct any questions regarding fitting to the dealer from where the product was purchased.
- Off-road conditions can be rigorous. Extreme care must be taken on any driven path that does not contain a surface protection layer (tar/bitumen).
- Always ensure that your Roof Box is properly secured to the Roof Racks.
- Always ensure you fasten your load securely so that the Roof Box contents cannot move about while the car is moving.
- Any sharp / pointed items in your roof box should be properly protected in order to prevent damage.
- Ensure product is correctly locked before driving. Do not load the Roof Box in such a way that the lid cannot be easily closed.
- Open and close the lid using both hands, and do not operate the Roof Box while on the side of the road.
- **If roof antenna interferes with Roof Box or Racks, the mast will need to be removed.**
- Do not store Roof Box in direct sunlight for extended periods of time.
- Do not carry corrosive or combusive materials within the Roof Box.
- Do not carry live animals within the Roof Box.



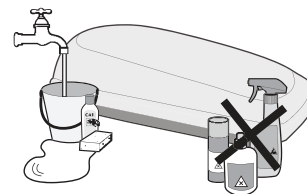
Recommendations



Remove antenna mast if interferes with Roof Box.

Removal of antenna mast and carrying rooftop cargo may affect availability of radio, satellite positioning and connected services.

- Clean the box with tap water or car shampoo only.
- **Avoid:** Cleaning agents, oil, solvents and cleaning products that contain alcohol, chloride and ammonia as discolouring and irreparable damage may occur.
- It is recommended that the luggage box be cleaned before storing it for extended periods.
- To reduce fuel consumption remove the luggage box when not in use.



In service maintenance checks

- All bolt connections should be checked after driving a short distance when you first install your roof racks.
- All bolted connections should be checked again at regular intervals (weekly is recommended, depending on road conditions, usage, loads and distances travelled).
- All bolted connections should be checked each time they are re-fitted.
- Off-road conditions are more rigorous. Check all bolted connections and your load more regularly.
- Ensure that your vehicle manufacturer's GVM, and gross axle weights are not exceeded (refer to vehicle owner's manual).

Torque Settings:

Unless stated otherwise in these instructions, all fasteners should be set to the following torque settings:



Sensitivity to Crosswinds, Behaviour in Curves and Braking.

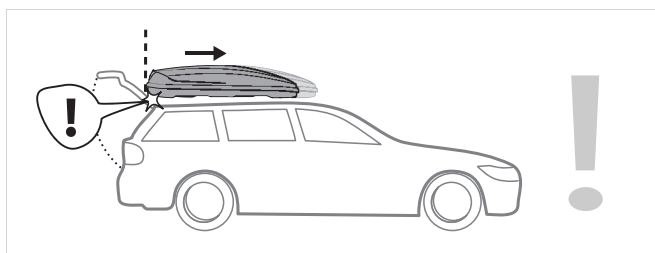
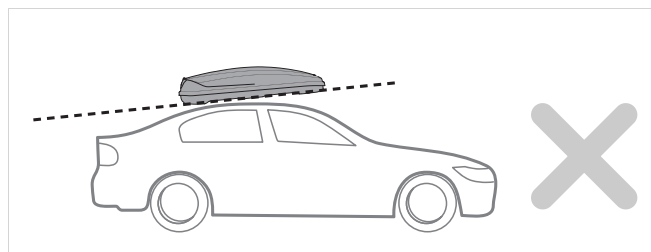
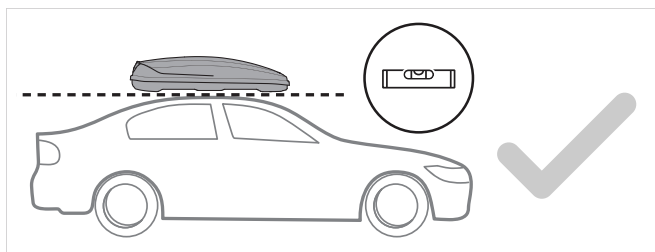
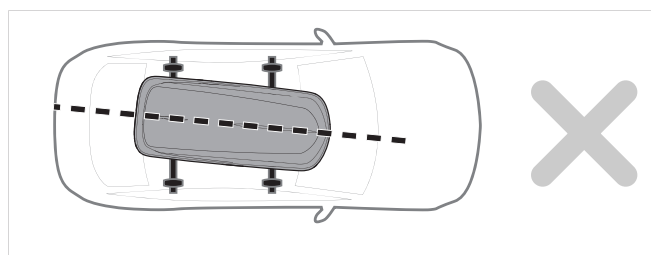
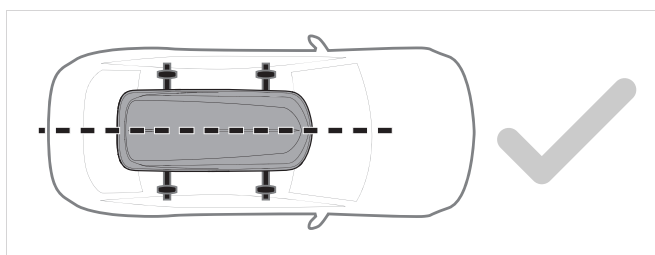
Remember that the luggage box may affect the road handling of your car (e.g. sensitivity to crosswinds, cornering and braking). **The maximum speed with box fitted is 130km/h.**

Note for Dealers and Fitters

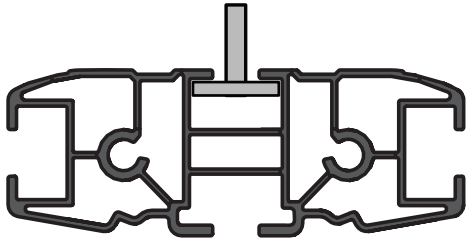
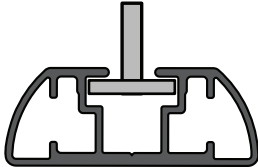
It is your responsibility to ensure these fitting instructions are given to the end user or client. These instructions remain the property of Rhino-Rack Australia Pty. Ltd. and may not be used or changed for any other purpose than intended.

Note for Users

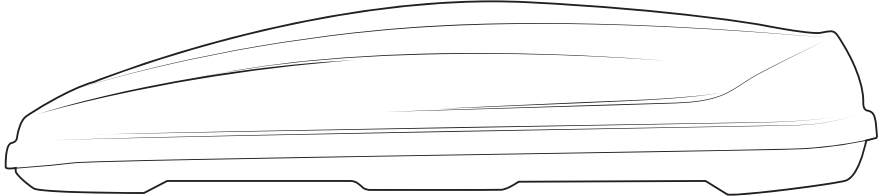

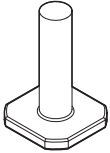

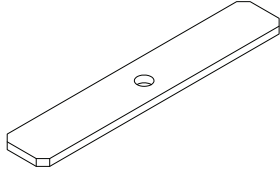
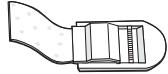

Before using your luggage box, make sure it is securely mounted on the racks and the lid is properly closed and locked with the key.



Roof Rack Compatibility

CROSS BARS	<p>Reconn Deck Bar</p>	
PLATFORM	<p>Accessory Bar (mounted on the pioneer platform)</p>	

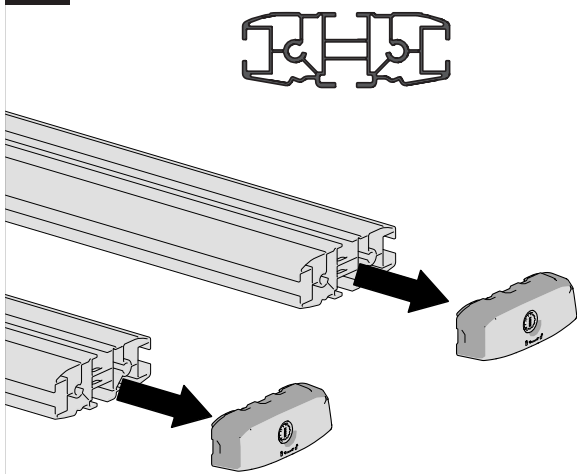
Parts List

<p>Roof Box</p>  <p>A x1</p>	<p>Key</p>  <p>B x2</p>		
<p>M8 x 30 Square Head Set Screw</p>  <p>C x4</p>	<p>M8 Flanged Nyloc Nut</p>  <p>D x4</p>	<p>Luggage Plate</p>  <p>E x4</p>	<p>Strap</p>  <p>F x3</p>
<p>Instructions</p>  <p>C x1</p>	<p>TOOLS REQUIRED</p> <p>T1 - Measuring Tape T2 - 13mm Socket Wrench T3 - Step Ladder</p>		

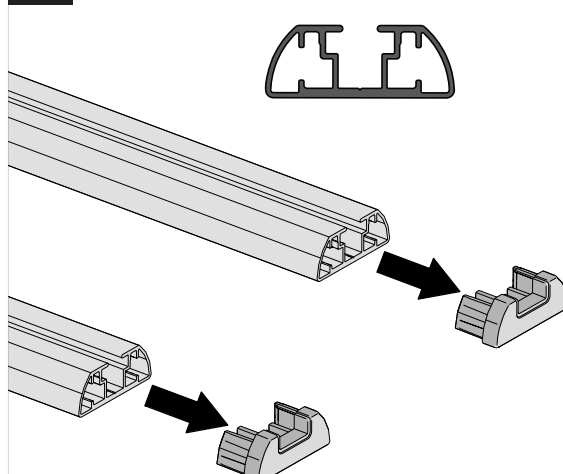
<p>Record your key number here for future reference, in case of misplaced or lost keys</p>	
--	---

1 Remove roof rack end cap

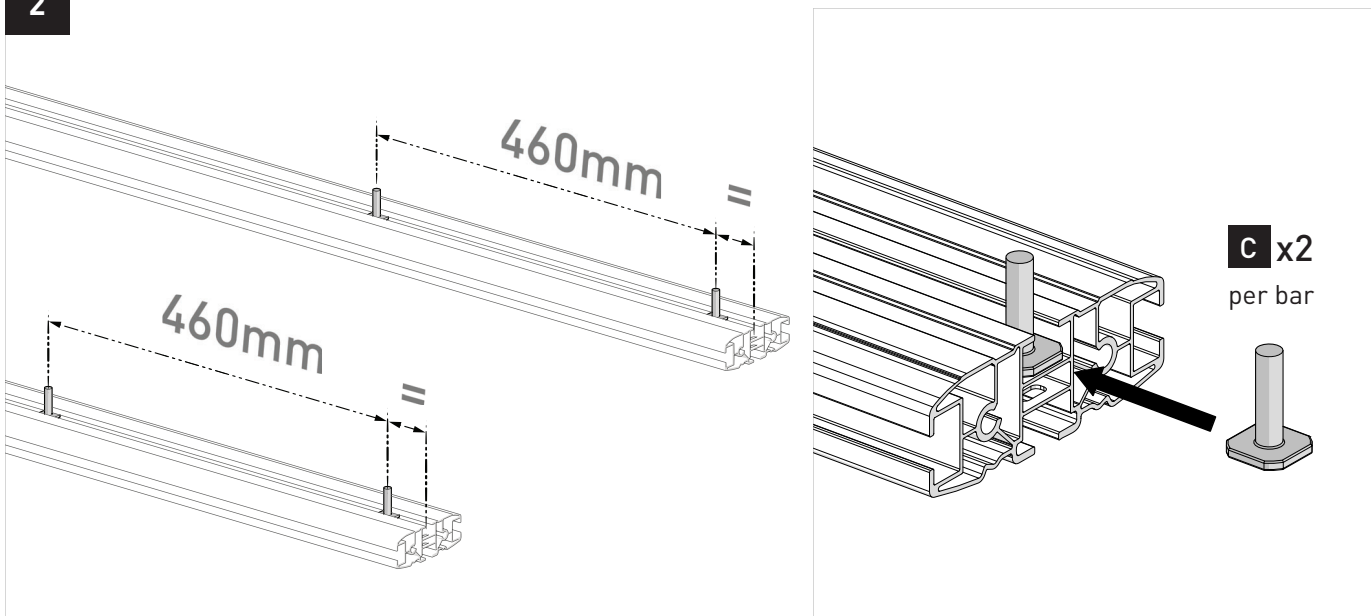
1a RECONN-DECK CROSSBAR



1b ACCESSORY BAR

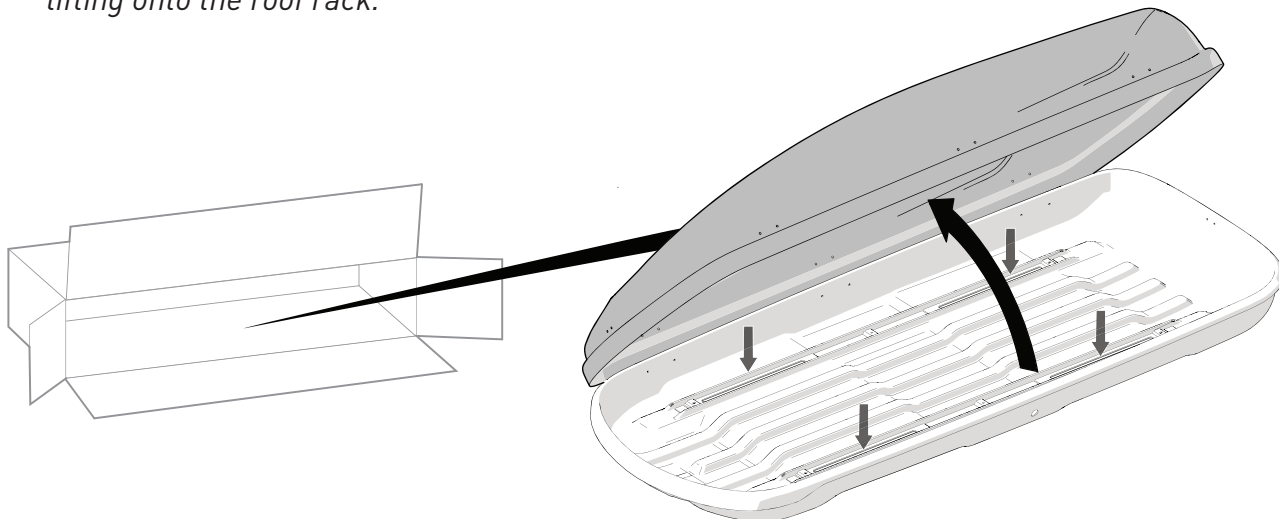


2

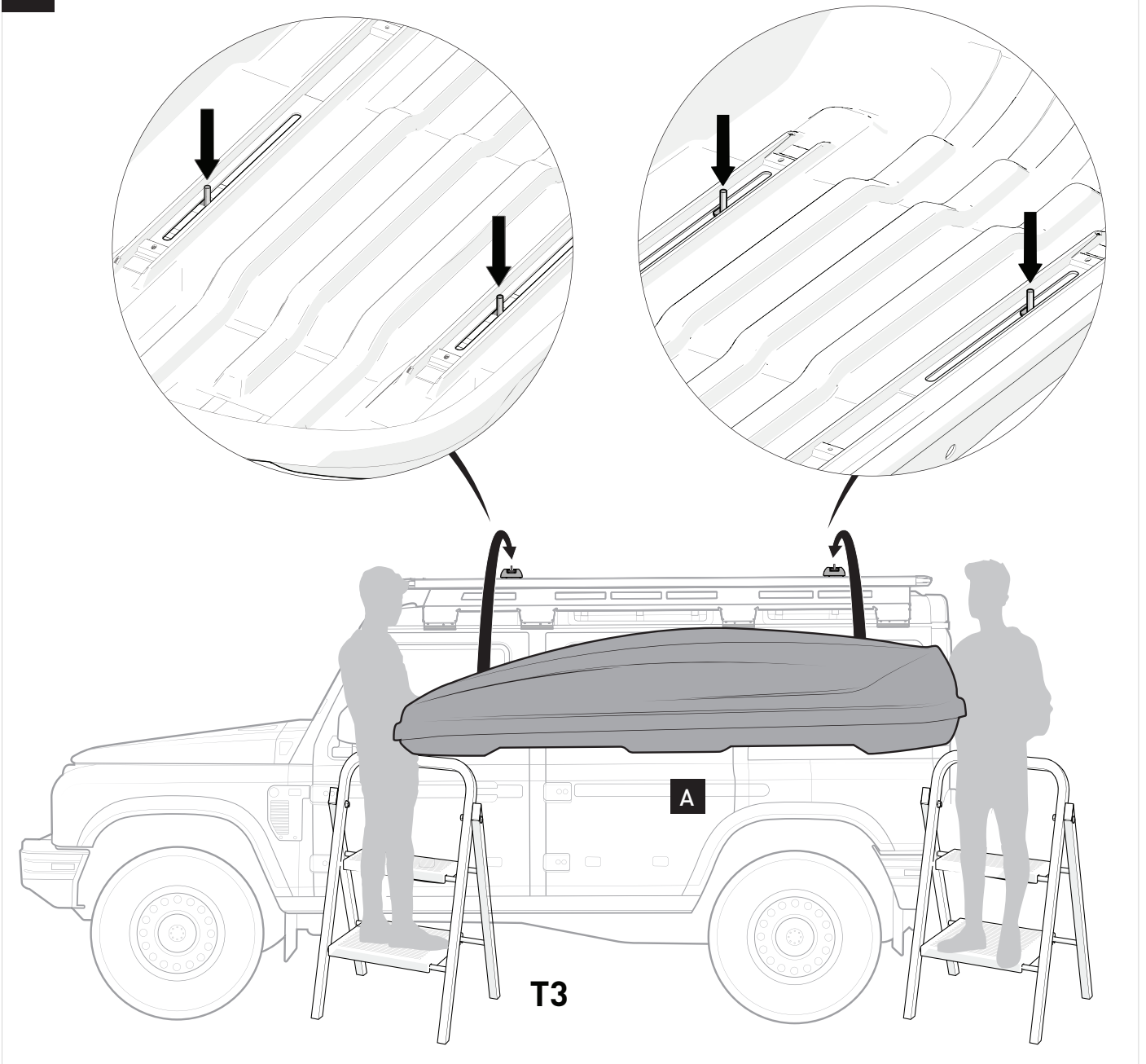


3 Open to expose luggage fixing slots.

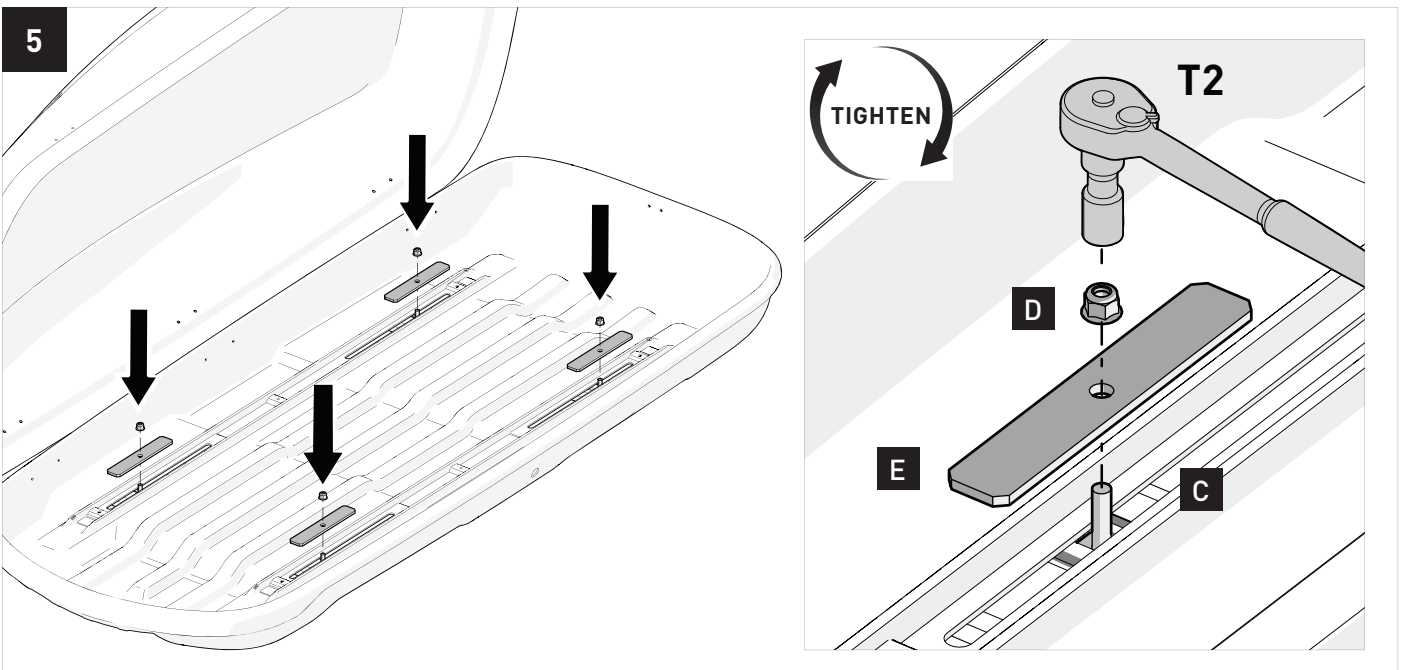
Note: luggage box top cover can be rested in the closed position but must be visible when lifting onto the roof rack.



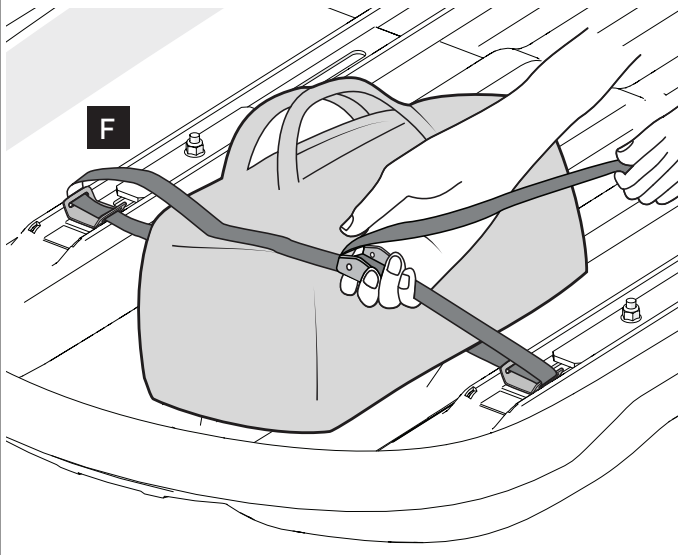
4



5



6 Use supplied straps to secure load



7 Close and lock box. Write lock number down at the front of this instruction.

